

Return to Mercury Marine as soon as possible.



CONTAINER DISASSEMBLY

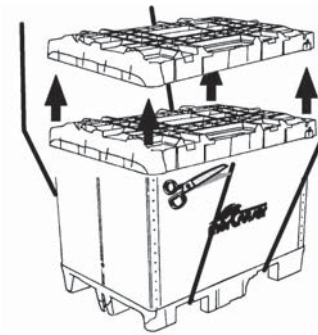
IMPORTANT! Container Instructions

SHIPPING LABEL

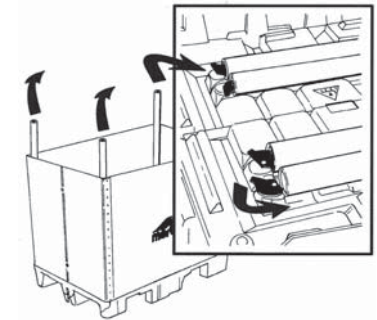
RETURN TO:

**MerCruiser Refurbishing Center
303 East Harned Street
Stillwater, OK 74075**

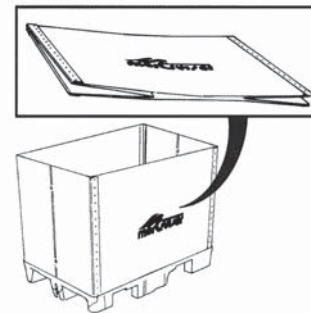
Step 1: Remove shipping bands from the container.
Remove the top cover.



Step 2: Remove the four metal corner posts and place in underside of top cover.
Turn latches to lock posts in position.



Step 3: Remove the sides of the container and fold flat as shown. Place aside temporarily



Step 4: Support engine with a hoist using a suitable sling attached to engine lifting eyes.

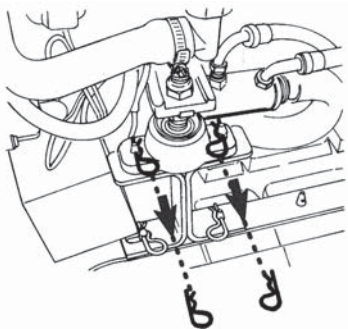
(Refer to product "Installation Manual" for location of lifting eyes.)



1-800-543-MERC (6372)

FAX 1-800-944-4474

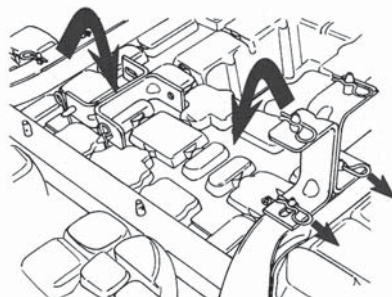
Step 5: Remove clips retaining port and starboard engine mounts to upright pins on brackets.



Step 6: As appropriate, remove stern drive components and engine from container.

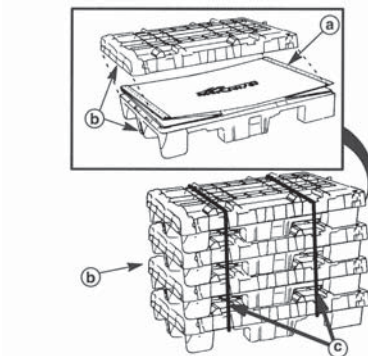
ASSEMBLY OF CONTAINER FOR RETURN

Step 1: Remove clips securing brackets to upright pins on container base. Put clips in pin holes. Place brackets in appropriate slots of container base as shown.



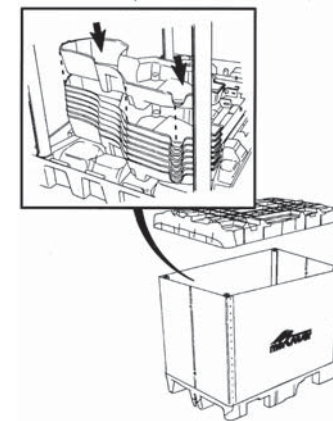
Step 2: Position folded sides of container on base. Place top cover over base assembly. Stack *no more than four* complete assemblies together and band for shipping.

NOTE: White painted ends of container are matched when properly assembled.



a - Folded Container Sides
b - Blue Ends
c - Shipping Bands

Step 3: As needed, stack as many as sixteen cradles together. Place three or more stacks inside an empty *un-collapsed* container. Band for shipment.



READY FOR RETURN

FREE Freight Methods: (Choose One)

1. a. Call 1-800-872-5225, Roadway Express.
b. **Identify** yourself, your company and address.
c. **Tell them** you have a reusable container to be returned to MerCruiser in Stillwater, OK. **at no cost to you.**
Tell them how many containers being returned and leave a contact number.
d. **Use the address label** provided on back addressed to:
MerCruiser Refurbishing Center
303 East Harned Street
Stillwater, OK 74075

OR

2. Bring or drop off (**do not ship**) container to Northeast Marine Power for us to return for you **at no cost to you.**

COSTLY Method:

Containers returned to Northeast Marine by motor freight will not be accepted and will be returned to you at YOUR EXPENSE.

NOTICE

Containers are the property of Mercury Marine. Beginning 7/3/06 failure to return containers on a timely basis will result in your obligation to pay \$300.00 for each container not returned.