

Return to Mercury Marine as soon as possible.



CONTAINER DISASSEMBLY

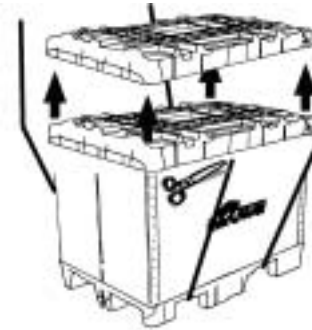
IMPORTANT! Container Instructions

SHIPPING LABEL

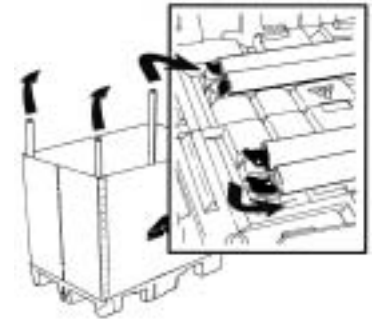
RETURN TO:

**MerCruiser Marine Container Return
c/o Caliber Logistics, Inc.
303 East Harned Street
Stillwater, OK 74075
Attn: Sam Hanks**

Step 1: Remove shipping bands from the container.
Remove the top cover.



Step 2: Remove the four metal corner posts and place in underside of top cover.
Turn latches to lock posts in position.



Step 3: Remove the sides of the container and fold flat as shown. Place aside temporarily



Step 4: Support engine with a hoist using a suitable sling attached to engine lifting eyes.

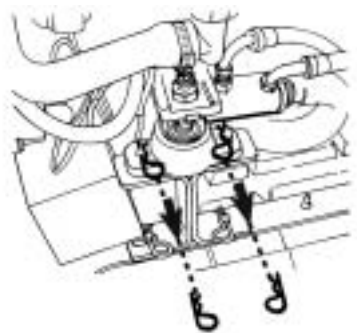
(Refer to product "Installation Manual" for location of lifting eyes.)



1-800-543-MERC (6372)

FAX 1-800-944-4474

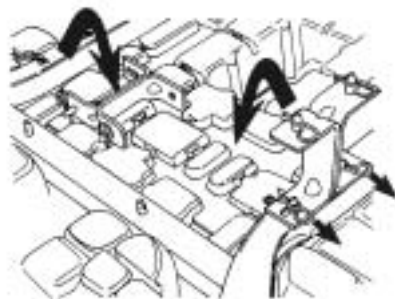
Step 5: Remove clips retaining port and starboard engine mounts to upright pins on brackets.



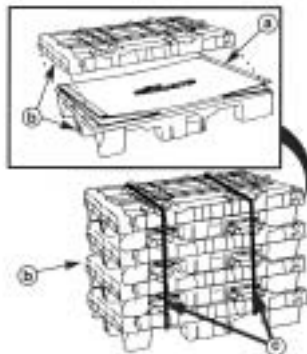
Step 6: As appropriate, remove stern drive components and engine from container.

ASSEMBLY OF CONTAINER FOR RETURN

Step 1: Remove clips securing brackets to upright pins on container base. Put clips in pin holes. Place brackets in appropriate slots of container base as shown.



Step 2: Position folded sides of container on base. Place top cover over base assembly. Stack *no more than four* complete assemblies together and band for shipping.



a - Folded Container Sides
b - Blue Ends
c - Shipping Bands

NOTE: White painted ends of container are matched when properly assembled.

Step 3: As needed, stack as many as sixteen cradles together. Place three or more stacks inside an empty *un-collapsed* container. Band for shipment.



READY FOR RETURN

FREE Freight Methods: (Choose One)

1. a. Call 1-800-872-5225, Roadway Express.
b. **Identify** yourself, your company and address.
c. **Tell them** you have a reusable container to be returned to MerCruiser in Stillwater, OK. **at no cost to you.**
d. **Use the address label** provided on back addressed to:
MerCruiser Marine Container Return
c/o Caliber Logistics, Inc.
303 East Harned Street
Stillwater, OK 74075

Attn: Sam Hanks

OR

2. Bring or drop off (**do not ship**) container to Northeast Marine for us to return for you **at no cost to you.**

COSTLY Method:

Containers returned to Northeast Marine by motor freight will not be accepted and will be returned to you at YOUR EXPENSE.

NOTICE

Containers are the property of Mercury Marine. Failure to return containers on a timely basis will result in your obligation to pay \$130.00 for each container not returned.